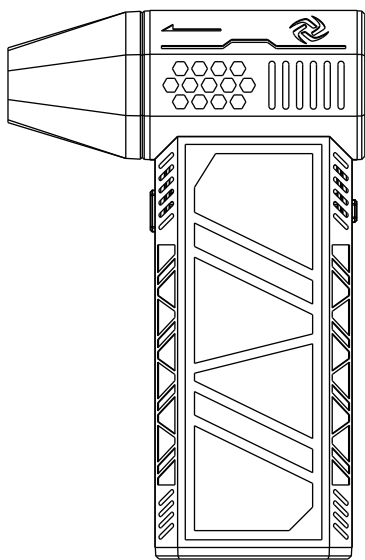


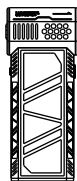


Usage Instructions

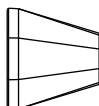
Electric Air Duster



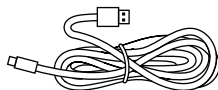
Product List



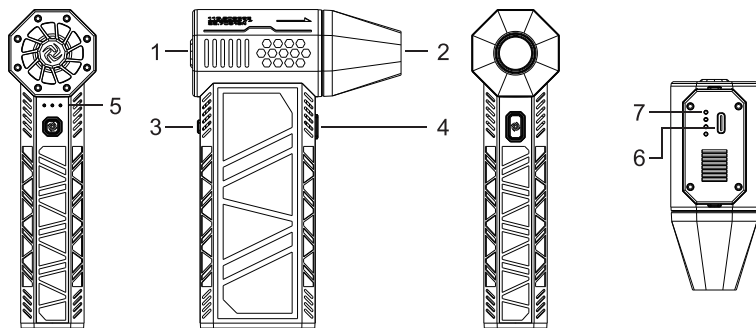
Device



Blowing Cover



Cable



Product Overview

1	Air inlet
2	Air outlet
3	Power (Power On/Off and speed switch)
4	Start
5	Speed indicator
6	Charging port
7	Battery indicator

INDEX

- 1 Safety Warnings
- 2 Specification
- 3 Using Instructions

1. Safety Warnings

Please store this product out of reach of children and pets.

Please store in a dry environment. Do not place this product in high temperature or in the car for exposure to sunlight.

Do not overcharge or discharge the battery, otherwise it will cause damage to the battery cell.

Please regularly remove any attachments from the hair dryer and suction port.

Do not use nails or sharp objects to press or rub the suction and blowing ports to avoid damaging the product.

Do not use alcohol, nail polish remover, or detergent to clean this product, as this may cause malfunction, breakage, or fading.

To reduce the risk of malfunction, electric shock, injury, fire, death, and equipment or property damage, please be sure to follow the following safety precautions.

Charging Cable

The charging cable is damaged Do not use when heating, as it may cause burns, electric shock, or fire due to short circuits.

Do not unplug or insert charging wires when your hands are wet, as this may cause electric shock and injury.

Do not damage, modify, forcefully bend, pull, twist the charging line, or place heavy objects or squeeze the charging line during charging, otherwise it may cause electric shock or fire due to short circuits.

If the charging cable is damaged, it is necessary to replace it to avoid danger.

Usage And Storage

Do not block or insert foreign objects into the suction and blowing ports during operation, as this may damage the product.

Do not immerse this product in water.

Do not use this product in damp environments. Please keep this product dry.

Do not use with wet hands.

Do not use it near petroleum gas or other flammable materials (such as volatile agent, paint thinner, spray, etc.), otherwise it may cause explosion or fire due to short circuit.

Do not leave the product with the power on, as it may cause a fire due to a short circuit.

Do not store in a highly humid area.

Do not store in the contact area of children and infants.

Do not use this product near bathtubs, showers, washbasins, or other utensils that hold water.

Do not use the air inlet close to your hair to avoid it being sucked into the fan.

Exception or Failure

When an abnormality or malfunction occurs, if there is no air flow, frequent stops, internal redness, or smoke, please immediately stop using this product. In this case, using this product may cause injury or cause a fire due to a short circuit.

Reminder: The illustrations of products, accessories, and other items in the manual are schematic diagrams for reference only.

Due to product updates and upgrades, there may be slight differences between the actual product and the schematic diagram.

Please refer to the actual product for accuracy.

2. Specification

Art. No	BPG22
Motor Power	130000RPM
Battery Capacity	3000mAh
Working Voltage	6-8.4V
Theoretical Endurance	100 min (first gear)
Product Weight	315g

Manufacturer reserves the right to change specifications without notice.
Specifications may differ from country to country

3. Using Instructions

Power ON/OFF

Long press the power button to turn the machine on and off, and enter standby mode after turning it on.

Start Blowing

Manual mode: Press and hold the start button to start the device blowing, and release the start button to stop (third gear).

Automatic mode: Click the motor to rotate, click to stop rotation,click to start only the first and second gears, and cannot start the third gear.

Gear Shift

After turning on, click the power button to switch gears in sequence (default to three gears when turning on).

First gear: Soft wind

Second gear: Violent wind

Third gear: Super violent wind

Charging

The product supports fast charging chargers but is not allowed to be charging during using.

Battery Indicator Light

Charging: The indicator lights flash sequentially (based on the battery level)

Full charge: all 4 indicator lights are on

Low battery:4 indicator lights flashing

Battery:4 lights on 100%, 3 lights on 75%,2 lights on 50%, 1 light on 25%

Intelligent Protection Function

The product will automatically shut down when there is no operation after 3 minutes of standby.