

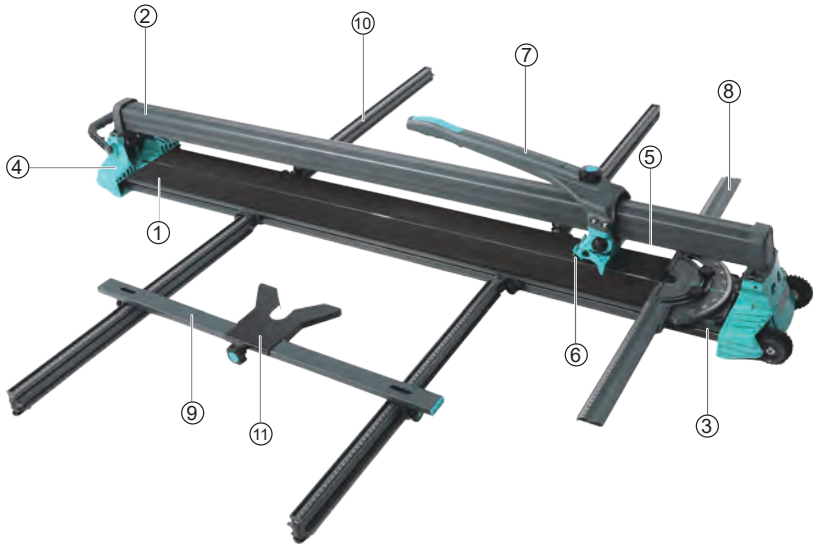
EN King Tile Cutter



Using Video



Overview



Operation

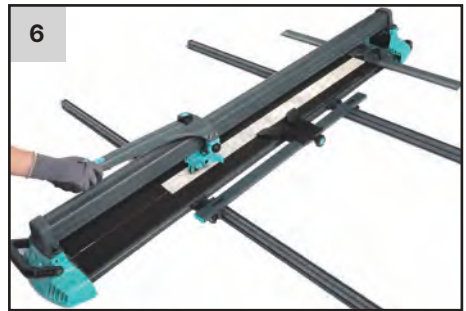
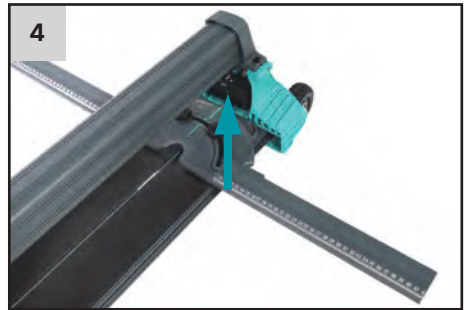
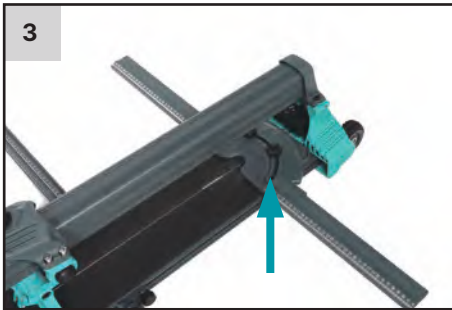
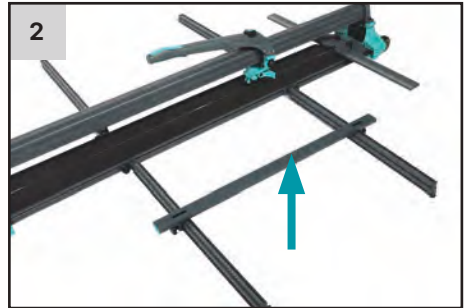
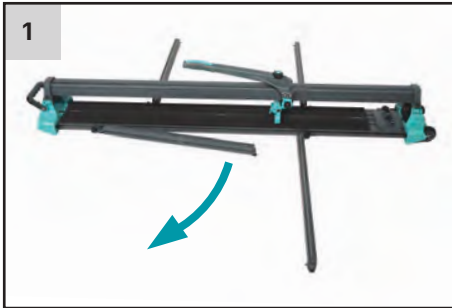


Table of Contents

Table of Contents	4
Intended Use	4
Safety	4
Your Device at a Glance	4
Operation	4
Cleaning and Maintenance	5
Storage and Transport	5
Troubleshooting and Help	5
Disposal	5
Technical Specifications	5

Intended Use

This device is intended for cutting hard tiles, porcelain tiles, ceramic tiles etc.

Any other use not described in these instructions constitutes unauthorized misuse.

The manufacturer is not liable for any resulting damage.

Safety



Caution! Read all safety instructions and warnings provided with tool. Failure to follow the instructions below may result in serious injury. Keep all warnings and instructions for future reference. Can only be used after correct installation.

Your Device at a Glance



Note: The actual appearance of your device may differ from the illustrations.

→ Overview - p. 2

1. Cutting Support Base
2. Cutting Guide Rail
3. Rubber Wheel Side Base
4. Handle Side Base
5. Rail Slider Assembly
6. Cutting Wheel Assembly
7. Cutting Handle
8. Front Straight Ruler
9. Cross Side Ruler
10. Side Ruler
11. 45 Degree Angle Ruler

Not Shown

User Manual
Charger

Operation



→ Operation - p. 3

→ p. 3, Fig. 1

-Unfold the side ruler(10) on both sides.

→ p. 3, Fig. 2

-Install the front straight ruler(8) and point the arrow at position 0.

→ p. 3, Fig.3

-Turn on the laser light.

→ p. 3, Fig.4

-Install the cross side ruler(9).

→ p. 3, Fig.5

-Place the tiles on it and start cutting after adjusting the cross side ruler(9) to the scale.

→ p. 3, Fig.6

-Install the 45 degree angle ruler(11) on the cross side ruler(9) and adjust to the position of the cutting guide rail(1) so as to cut narrow strips.

→ p. 3, Fig.7

-Cut diagonally and rotate the front straight ruler(8) to 45° and fix it.

→ p. 3, Fig.8

-Place the tile, adjust the 45 degree angle ruler(11) to the diagonal position, fix it in place and then start cutting.

Cleaning and Maintenance

- Remove any dirt or residue from the tile cutter.
- Replace the scoring cutting wheel if it was worn.
- Change the batteries if LED is not working.
- Check the all screws if be loosened or no periodically.
- Do not wash with water. Wipe with a dry cloth after cutting.
- Lines must be cut continuous and clear.
- Always draw a line on the tile surface first before cutting.
- Just apply a little pressure on the tile so the cut will be smooth and flat.
- Don't exert too much pressure when cutting because it may cause uneven tile cuts and damage to the cutter's blade.

Storage and Transport

Store the device in a dry, dust-free location.

Troubleshooting and Help

If something doesn't work...



DANGER! Risk of injury! Improper repairs can cause your device to no longer function safely. This puts you and those around you at risk.

Please replace the cutting wheel in time if it is not sharp.

Disposal

- Valuable materials can be recovered by recycling.
- Please contact your local authority for information about regulated disposal options.

Technical Specifications

Item number	TCK850	TCK1300	TCK1600
Battery Type		18650	
Battery Capacity		2000mAh	
Voltage		3.7V	
Cutting Wheel		Ø22x6x6mm	
Cutting Length	850mm(33-1/2")	1300mm(51")	1600mm(63")
Diagonal Cut	600x600mm	900x900mm	1130x1130mm
Cutting Thickness		3-20mm	
Breaking Capacity		1000kg	
Product Size	130x25x28cm	175x25x28cm	205x25x28cm
Weight	14kg	21.5kg	27kg



Note: Appearance and technical data may differ due to product improvements.



No.528, Tongxin Road, Tongxiang City, Zhejiang
www.bihuitools.com • sales@bihuitools.com • Made in P.R.C