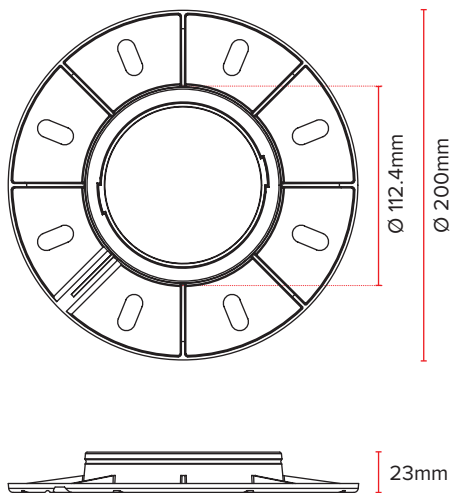
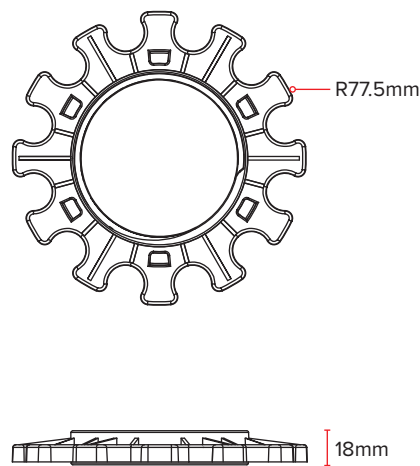




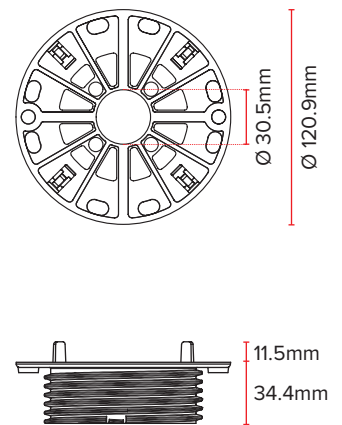
Base



Lock



Head



Code	Description	Load Capacity	Dimension	Weight	Pkg. / Pallet
GP3560	35-60mm Pedestal - 4mm joint	1000kg	35-60mm	0.158kg	30 pcs / 1,350 pcs

Product Description

GP3560 has an adjustable height starting from 35mm to a maximum of 60mm.
 Base laying surface: 314cm².
 Head diameter: 120mm with a laying surface of 113cm².
 The base allows the correct water drainage.

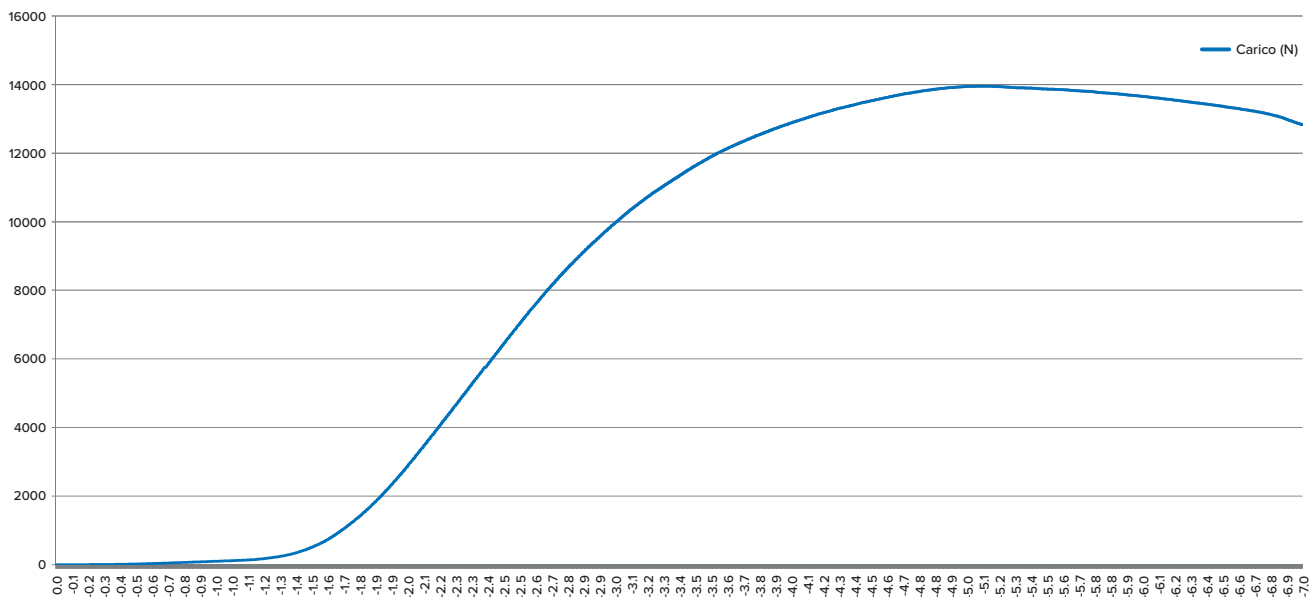
Use

Used in external areas, terraces, pavements.
 The use of polishing and sanding machines is not recommended.

Fields of Use

Waterproof membrane, hard insulating panels, screeds and solid and compact pose plans

Load Test



Code	Height	Max. Load (N)
GP3560	60mm	10.409
GP3560	85mm	9.107
GP3560	110mm	10.234
GP3560	13 mm	9.946
GP3560	510mm	9.740

The test was made using a 150mm diameter punch

Specifications

Material: Polypropylene - Fully Recyclable
 Fire Rating: HB (UL94)
 Sound Absorption: N/A
 Application Temp.: -40°C to +80°C
 Density: 1.18g/cm³
 Hardness (Shore A): 75 Shore D (rigid material)
 Tensile Strength: Approx. 18 MPa (raw material)

