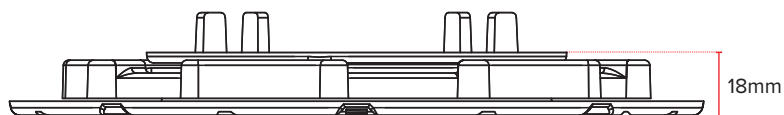
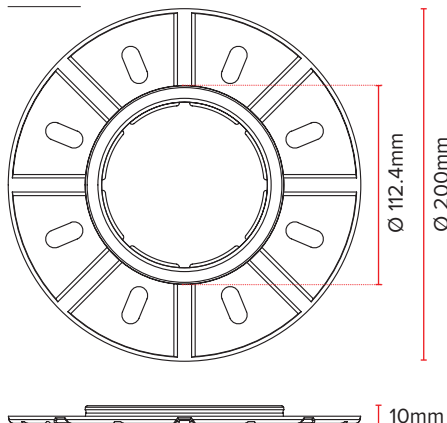
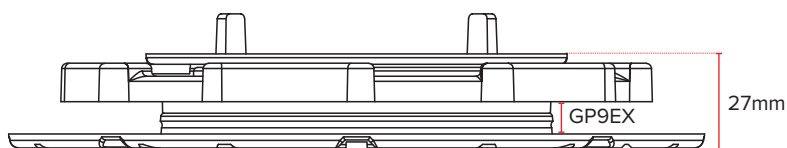
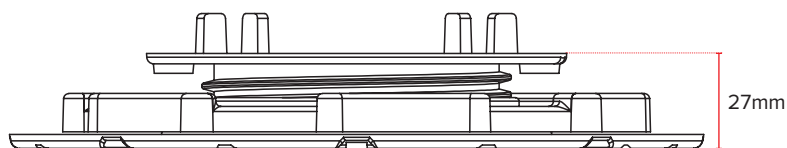
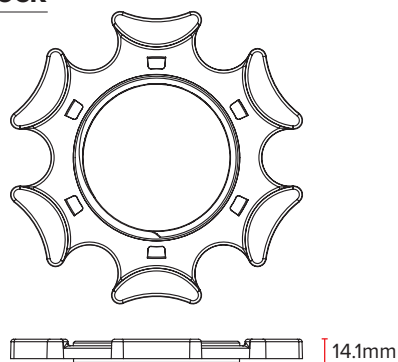




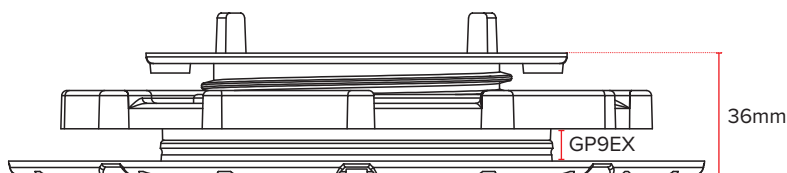
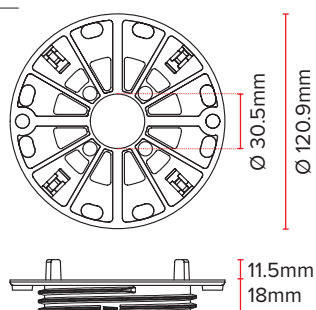
Base



Lock



Head



Code	Description	Load Capacity	Dimension	Weight	Pkg. / Pallet
GP1836	18-36mm Pedestal - 4mm joint	1000kg	18-36mm	0.154kg	30 pcs / 1,350 pcs



Product Description

GP1836 has an adjustable height starting from 18mm to a maximum of 36mm.
 Base laying surface: 314cm².
 Head diameter: 120mm with a laying surface of 113cm².
 The base allows the correct water drainage.

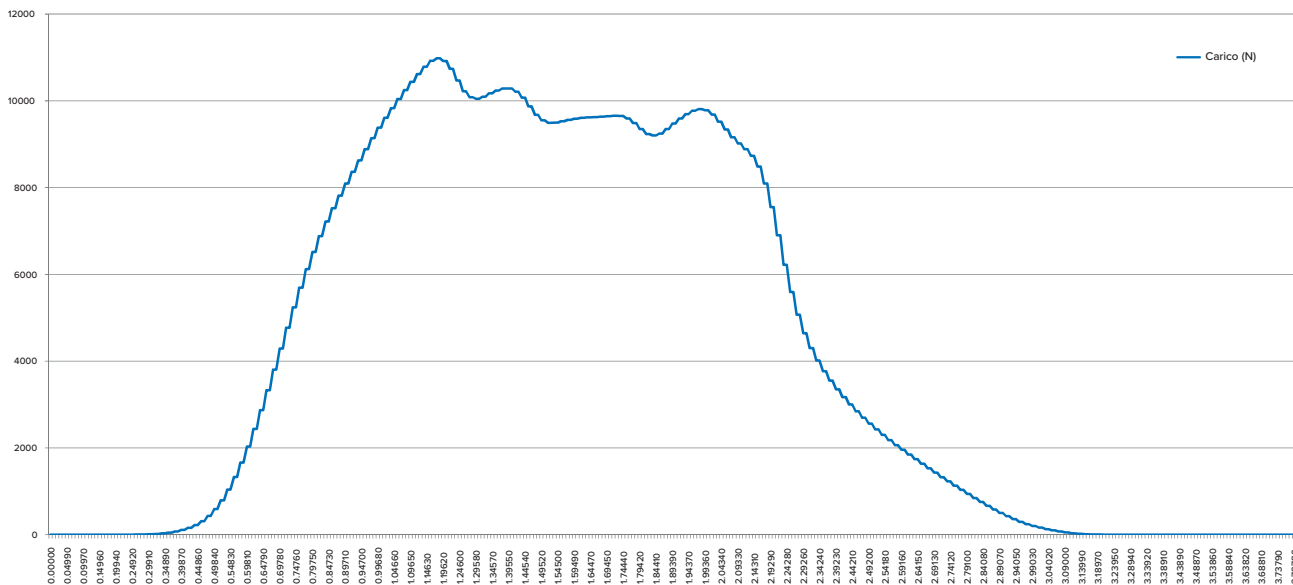
Use

Used in external areas, terraces, pavements.
 The use of polishing and sanding machines is not recommended.

Fields of Use

Waterproof membrane, hard insulating panels, screeds and solid and compact pose plans

Load Test



Max. Load at Yield (kN)	
Test 1	10.9
Test 2	10.7
Test 3	11.6
Average Value	11.06

Specifications

Material: Polypropylene - Fully Recyclable
 Fire Rating: HB (UL94)
 Sound Absorption: N/A
 Application Temp.: -40°C to +80°C
 Density: 1.18g/cm³
 Hardness (Shore A): 75 Shore D (rigid material)
 Tensile Strength: Approx. 18 MPa (raw material)

