



TWTMST

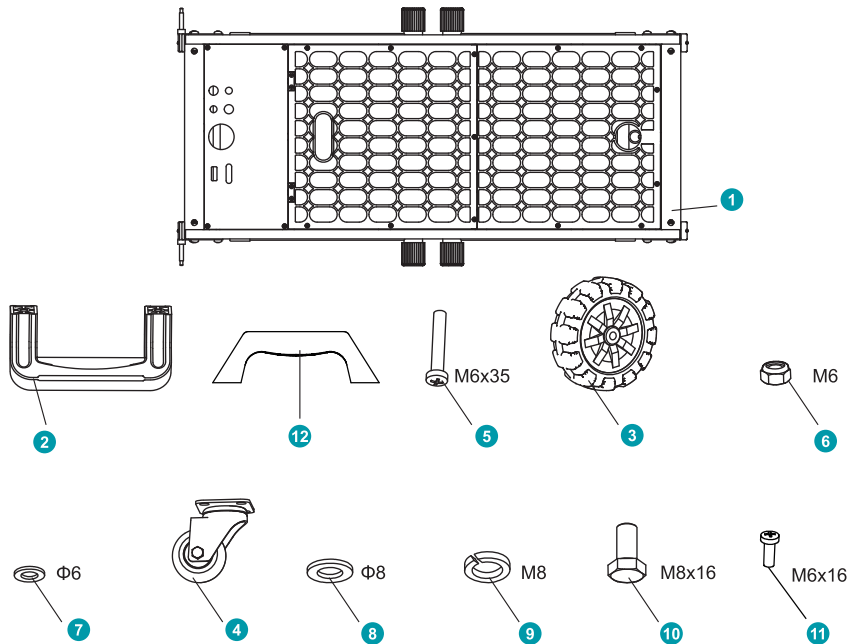
Usage Instructions

# Tiler's Working Bench Master



Read before use





### Spare Part List

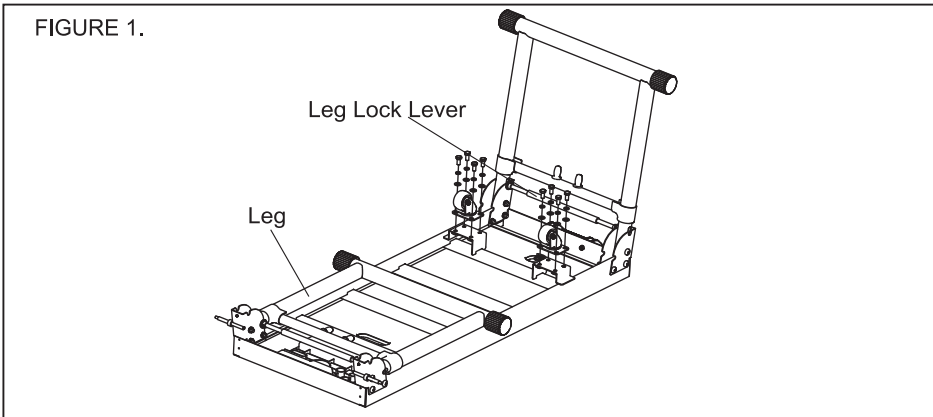
1	Stand	x1
2	Handle	x1
3	5" wheel	x2
4	2" swivel wheel	x2
5	Bolt M6x35	x2
6	Nut M6	x6
7	Washer $\Phi 6$	x2
8	Washer $\Phi 8$	x8
9	Spring washer $\Phi 8$	x8
10	Bolt M8x16	x8
11	Bolt M6x16	x2
12	Handle	x1

## ASSEMBLY INSTRUCTIONS

### 1. PREPARING THE STAND

FIGURE 1.

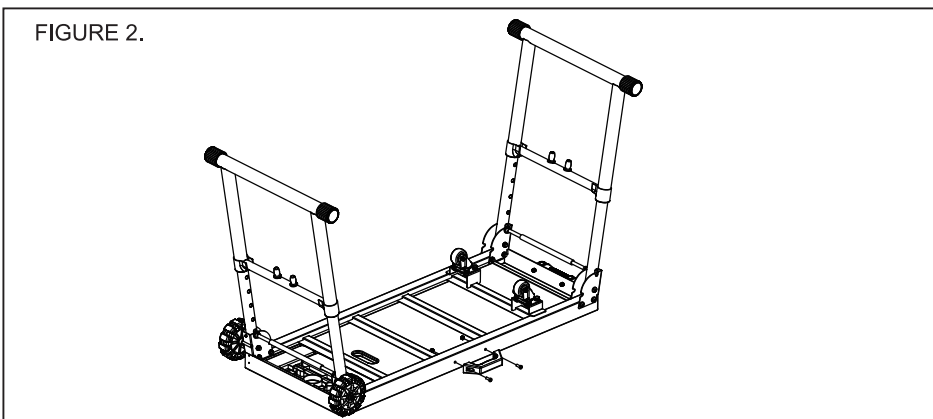
1. Lay the stand's top surface (1) down on the floor with the folded legs on top.
2. Press leg lock lever and rotate the leg up until the lever clicks into place.
3. Repeat with the next leg.
4. Use M8 x 16 bolt (10) and  $\Phi 8$  washer(8) to assemble 2" swivel casters (4).
5. Lift the stand and place it in an upright position.
6. Check to ensure the stand is stable and leg lock lever engaged.



### 2. INSTALL THE HANDLE

FIGURE 2.

Install the handle(12) by using Bolt M6x16 (11) and Nut Bolt M6 (6) .

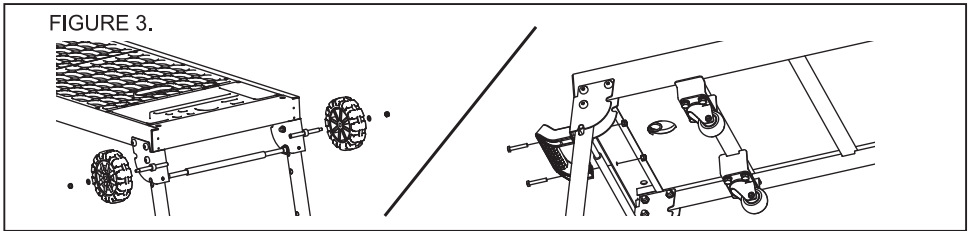


## ASSEMBLY INSTRUCTIONS

### 3. INSTALL THE CASTERS

FIGURE 3.

1. Use the M6 nut (6) and  $\Phi 6$  washer (7) to assemble 5" caster(3) to the axel
2. Use the M6x35 bolt(5) and M6 nut (6) to assemble the handle(2)

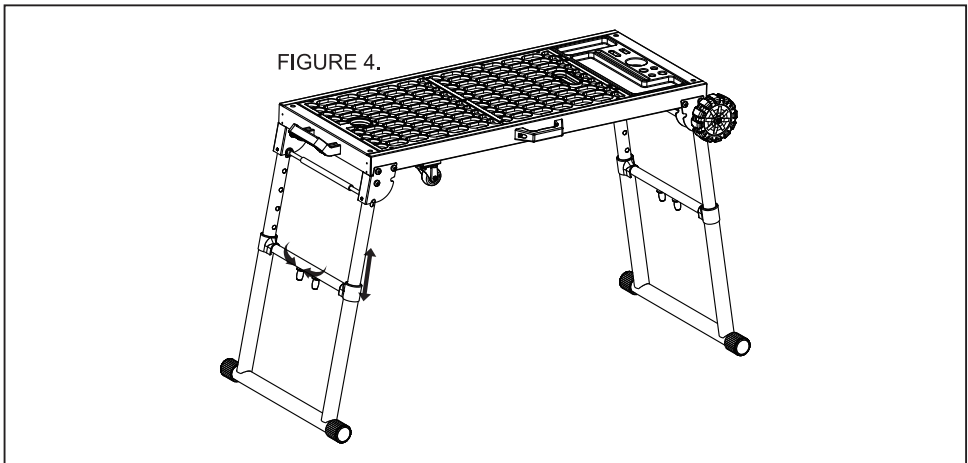


## USING INSTRUCTIONS

### 1. ADJUSTING THE LEGS

FIGURE 4.

1. Press the button inside and pull the bench up and down to adjust to the desired height.
2. Make sure the locking pin locks securely at the new height.
3. Check that work bench is level.



\* MAX. LOADING: 200Kg(441lbs)